

Auswahl des Kraftspeichers

	20S2G01	20S2H01	20S2I01
KH	kg	kg	kg
800	4.00–7.00	6.00–12.25	10.50–20.00
795	4.00–7.00	6.00–12.25	10.50–20.00
790	4.00–7.00	6.00–12.25	10.75–20.00
785	4.00–7.00	6.25–12.50	10.75–20.00
780	4.00–7.00	6.25–12.50	10.75–20.25
775	3.75–7.00	6.25–12.50	11.00–20.25
770	3.75–7.00	6.25–12.50	11.00–20.25
765	3.75–7.25	6.50–12.50	11.00–20.25
760	3.75–7.25	6.50–12.75	11.25–20.25
755	3.75–7.25	6.50–12.75	11.25–20.50
750	3.50–7.25	6.50–12.75	11.50–20.50
745	3.50–7.25	6.50–12.75	11.50–20.50
740	3.50–7.25	6.50–12.75	11.75–20.75
735	3.50–7.50	6.50–13.00	11.75–20.75
730	3.50–7.50	6.75–13.00	11.75–21.00
725	3.50–7.50	6.75–13.00	12.00–21.00
720	3.50–7.50	6.75–13.00	12.00–21.25
715	3.50–7.50	6.75–13.00	12.00–21.25
710	3.50–7.75	6.75–13.25	12.25–21.25
705	3.50–7.75	6.75–13.25	12.25–21.50
700	3.50–7.75	6.75–13.25	12.50–21.50
695	3.50–7.75	6.75–13.25	12.50–21.50
690	3.50–7.75	6.75–13.25	12.75–21.50
685	3.50–8.00	7.00–13.25	12.75–21.50
680	3.50–8.00	7.00–13.50	13.00–21.50
676	3.50–8.00	7.00–13.50	13.00–21.50

	20S2D01	20S2E01	20S2F01
KH	kg	kg	kg
675	3.00–5.25	5.00–11.00	9.75–19.00
670	3.00–5.25	5.00–11.00	9.75–19.00
665	3.00–5.25	5.00–11.00	9.75–19.00
660	3.00–5.50	5.25–11.25	10.00–19.00
655	3.00–5.50	5.25–11.25	10.00–19.00
650	3.00–5.50	5.25–11.25	10.00–19.00
645	3.00–5.50	5.25–11.25	10.00–18.75
640	3.00–5.50	5.25–11.25	10.00–18.75
635	3.00–5.50	5.25–11.50	10.25–18.75
630	3.00–5.75	5.50–11.50	10.25–18.75
625	3.00–5.75	5.50–11.50	10.25–18.75
620	3.00–5.75	5.50–11.50	10.25–18.75
615	3.00–5.75	5.50–11.50	10.25–18.75
610	3.00–6.00	5.50–11.75	10.50–18.50
605	3.00–6.00	5.50–11.75	10.50–18.50
600	3.00–6.00	5.50–11.75	10.50–18.50
595	3.00–6.00	5.50–11.75	10.50–18.50
590	3.00–6.00	5.50–12.00	10.75–18.25
585	3.00–6.25	5.75–12.00	10.75–18.25
580	3.00–6.25	5.75–12.00	11.00–18.00
575	3.00–6.25	5.75–12.00	11.00–18.00
570	3.00–6.25	5.75–12.25	11.25–17.75
565	3.00–6.25	5.75–12.25	11.25–17.75
560	3.00–6.50	6.00–12.25	11.25–17.50
555	3.00–6.50	6.00–12.50	11.50–17.50
550	3.00–6.50	6.00–12.50	11.50–17.25
545	3.00–6.50	6.00–12.50	11.50–17.25
540	3.00–6.50	6.00–12.75	11.75–17.00
535	3.00–6.75	6.25–12.75	11.75–16.75
530	3.00–6.75	6.25–12.75	11.75–16.75
526	3.00–6.75	6.25–13.00	12.00–16.50

	20S2A01	20S2B01	20S2C01
KH	kg	kg	kg
525	2.50–4.00	3.25–7.50	7.25–15.00
520	2.50–4.00	3.50–7.50	7.25–15.00
515	2.50–4.00	3.50–7.50	7.25–14.75
510	2.50–4.00	3.50–7.75	7.50–14.75
505	2.50–4.00	3.50–7.75	7.50–14.75
500	2.50–4.25	3.50–7.75	7.50–14.75
495	2.50–4.25	3.75–7.75	7.50–14.50
490	2.50–4.25	3.75–8.00	7.75–14.50
485	2.50–4.25	3.75–8.00	7.75–14.25
480	2.50–4.25	3.75–8.00	7.75–14.25
475	2.50–4.25	3.75–8.00	7.75–14.00
470	2.50–4.25	4.00–8.25	8.00–14.00
465	2.25–4.25	4.00–8.25	8.00–13.75
460	2.25–4.25	4.00–8.25	8.00–13.75
455	2.25–4.25	4.00–8.50	8.25–13.50
450	2.25–4.25	4.00–8.50	8.25–13.50
445	2.25–4.50	4.25–8.50	8.25–13.25
440	2.25–4.50	4.25–8.50	8.25–13.00
435	2.25–4.50	4.25–8.75	8.50–13.00
430	2.25–4.50	4.25–8.75	8.50–12.75
425	2.25–4.50	4.25–8.75	8.50–12.75
420	2.25–4.50	4.25–8.75	8.50–12.50
415	2.25–4.50	4.25–8.75	8.50–12.50
410	2.25–4.50	4.25–9.00	8.75–12.25
405	2.25–4.50	4.25–9.00	8.75–12.00
400	2.00–4.75	4.25–9.00	8.75–12.00
395	2.00–4.75	4.50–9.00	8.75–11.75
390	2.00–4.75	4.50–9.00	8.75–11.50
385	2.00–4.75	4.50–9.25	9.00–11.50
380	2.00–4.75	4.50–9.25	9.00–11.25
375	2.00–4.75	4.50–9.25	9.00–11.25
370	2.00–4.75	4.50–9.25	9.00–11.00
365	2.00–4.75	4.50–9.25	9.00–11.00
360	2.00–4.75	4.50–9.50	9.25–10.75
355	2.00–4.75	4.50–9.50	9.25–10.50
350	2.00–5.00	4.50–9.50	9.25–10.50

Zur Auswahl des richtigen Kraftspeichers benötigen Sie die Korpushöhe und das Gewicht der Front inkl. Griff.

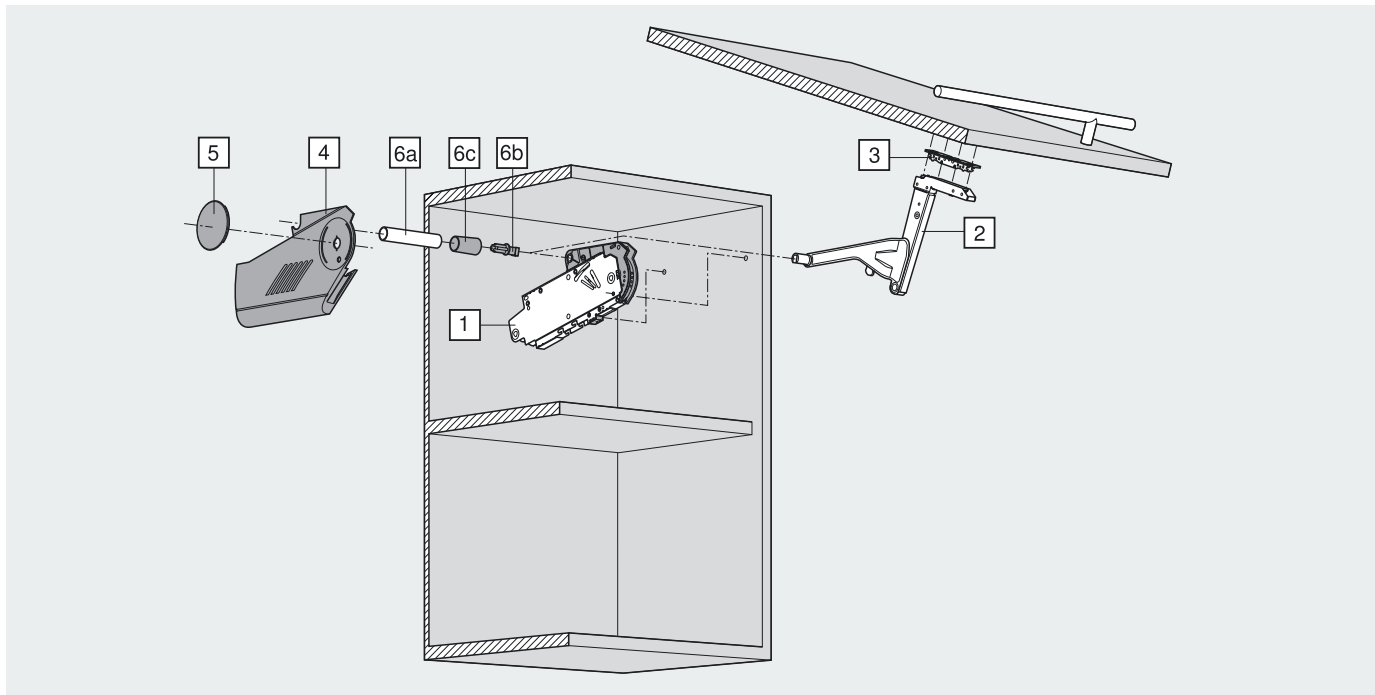
Beispiel:

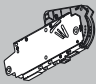
Korpushöhe KH = 600 mm

Gewicht der Front inkl. Griff = 10 kg


Auswahl des Kraftspeichers = **20S2E01**


Bestellinformationen




1 	Kraftspeicher			
	symmetrisch			Art.-Nr.
	2 x	20S2G01	20S2H01	20S2I01
	2 x	20S2D01	20S2E01	20S2F01
	2 x	20S2A01	20S2B01	20S2C01

6 	Querstabilisierung		
	vormontiert		Art.-Nr.
	Korpusbreite		
	600 mm		20Q442M
	800 mm		20Q642M
	900 mm		20Q742M
1200 mm		20Q1042M	
1200–1800 mm		auf Anfrage	

2 	Hebelpaket		
	Stahl vernickelt links / rechts		Art.-Nr. 20S3501

Alternativ:			
6a 	Querstabilisierungsstange		
	Alu		Art.-Nr.
	Ø 16 mm zum Ablängen, 1042 mm		20Q1042U

3 	Frontbefestigung		
	symmetrisch		Art.-Nr.
	Stahl vernickelt Schrauben	2 x	20S4201

6b 	Aufnahme		
	für Querstabilisierung		Art.-Nr.
	Zink	2 x	20Q0002

4 	Abdeckkappe		
	groß		Art.-Nr.
	Kunststoff hellgrau links / rechts		20S8001

6c 	Abdeckkappe		
	für Querstabilisierung		Art.-Nr.
	Kunststoff tiefgrau	2 x	20Q0003

5 	Abdeckkappe		
	rund		Art.-Nr.
	Kunststoff tiefgrau unbedruckt	2 x	20F9001
	bedruckt mit Blum-Logo	2 x	20F9001.BL
	individuell bedruckt ab 1000 Stk.		