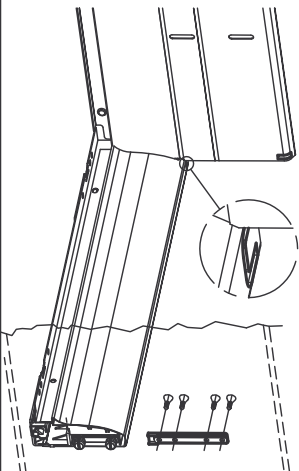

**1**

FISSARE LA PIASTRINA IN PLASTICA AL FRONTALE COME INDICATO NELLO SCHEMA DI FORATURA

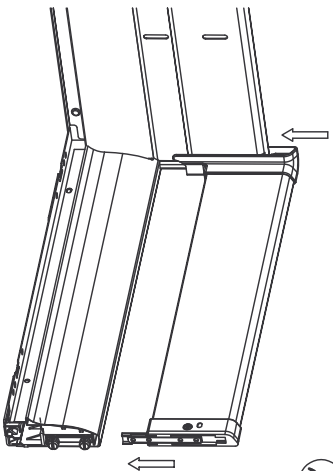
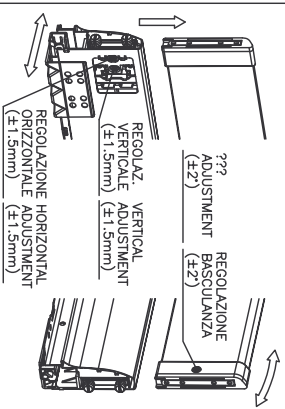
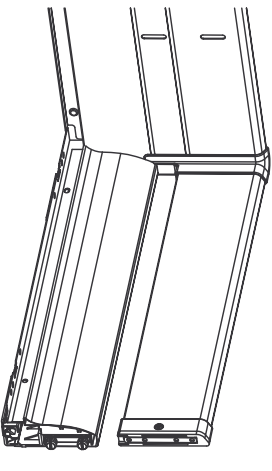
### SEQUENZA DI MONTAGGIO MOUNTING SEQUENCE

FIX THE PLASTIC BRACKET TO THE FRONTS AS INDICATED IN THE DRILLING SCHEME

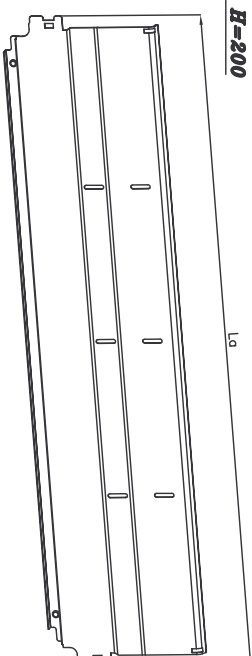

**2**

INSERIRE LE SPONDE LATERALI COME INDICATO IN FIGURA

INSERT THE SIDES AS INDICATED IN THE FIGURE


**3**


### PANNELLO POSTERIORE LATIERA H=200 METAL BACK PANEL H=200



SPALLE PANEL	L0											
19mm	242.5	292.5	342.5	392.5	442.5	542.5	642.5	742.5	842.5	942.5	1142.5	
18mm	244.5	294.5	344.5	394.5	444.5	544.5	644.5	744.5	844.5	944.5	1144.5	
16mm	248.5	298.5	348.5	398.5	448.5	548.5	648.5	748.5	848.5	948.5	1148.5	
15mm	250.5	300.5	350.5	400.5	450.5	550.5	650.5	750.5	850.5	950.5	1150.5	
BASI CABINET	300	350	400	450	500	600	700	800	900	1000	1200	

### FORATURA FRONTALE E INGOMBRI

### FRONT DRILLING AND DIMENSIONS

