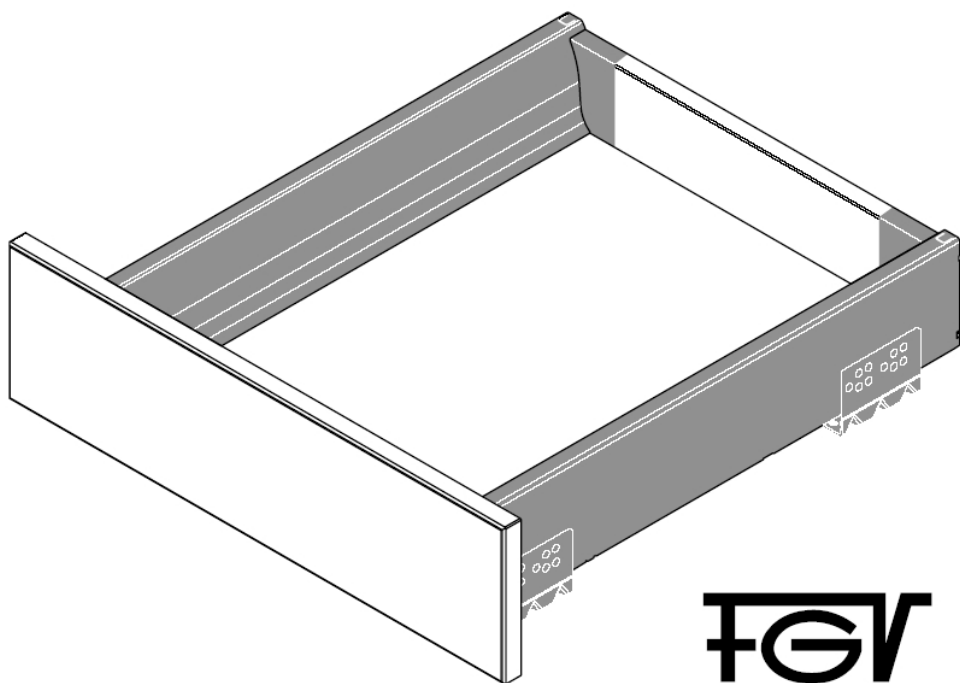


Prime

STANDARD KIT

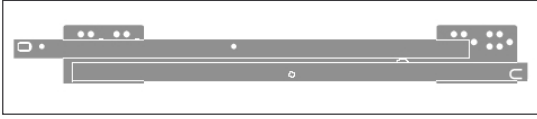


FGV

INSTRUCTIONS MANUAL

Prime

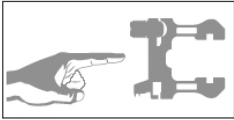
CONTENT OF THE BOX



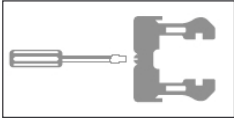
X 2 Slides



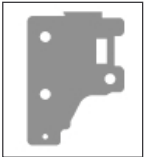
X 2 Drawer sides



X 2 No tool fixing front brackets



X 2 Screw fixing front brackets



X 2 Back brackets



X 2 Cover caps



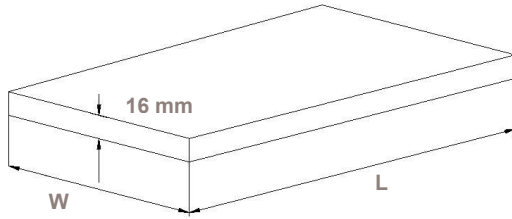
X 2 Selftapping screws



X 2 Instructions manual

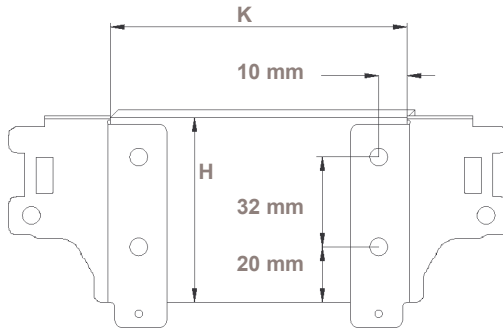
Prime

CUTTING BACK AND BOTTOM PANELS



DRAWER LENGTH	BOTTOM LENGTH (L)
270 mm	268 mm
300 mm	295 mm
350 mm	345 mm
400 mm	395 mm
450 mm	445 mm
500 mm	495 mm
550 mm	545 mm

BOTTOM PANEL WIDTH (W) = INTERNAL CABINET WIDTH – 79 mm

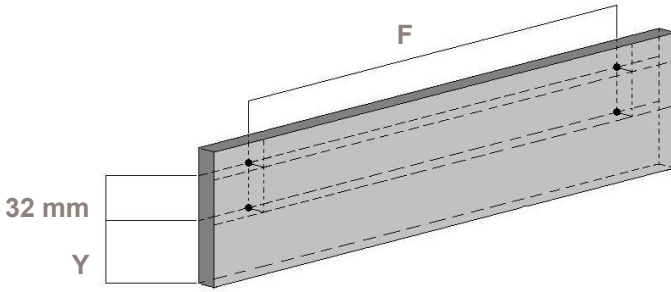


DRAWER HEIGHT	BACK HEIGHT (H)
90 mm	66 mm
122 mm	98 mm

BACK PANEL WIDTH (K) = INTERNAL CABINET WIDTH – 86 mm

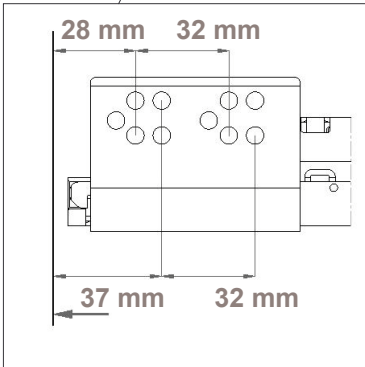
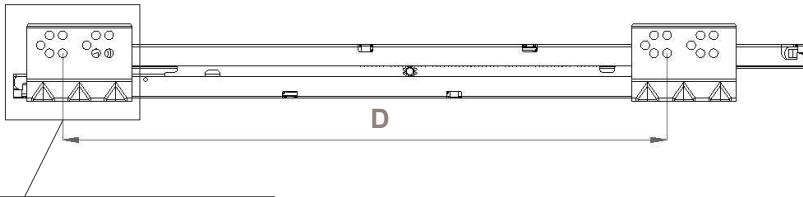
Prime

FRONT PANEL AND SLIDE HOLES POSITION



DRAWER HEIGHT	MINIMUM DISTANCE (Y)
90 mm	51,5 mm
122 mm	67,5 mm

FRONT PANEL HOLES DISTANCE (F) = INTERNAL CABINET WIDTH – 31 mm

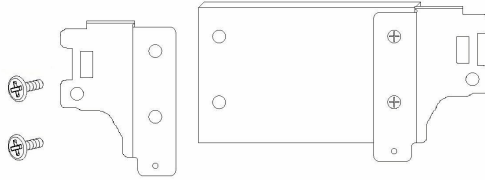


DRAWER LENGTH	HOLES DISTANCE (D)
270 mm	160 mm
300 mm	192 mm
350 mm	224 mm
400 mm	288 mm
450 mm	320 mm
500 mm	384 mm
550 mm	416 mm

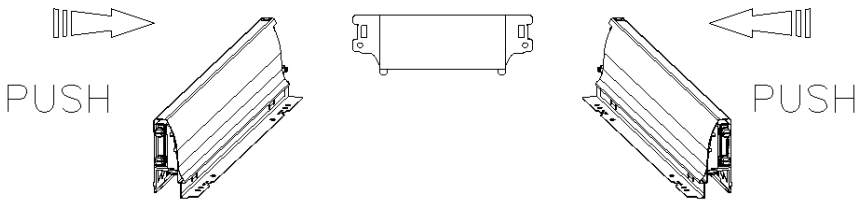
Prime

MOUNTING SEQUENCE

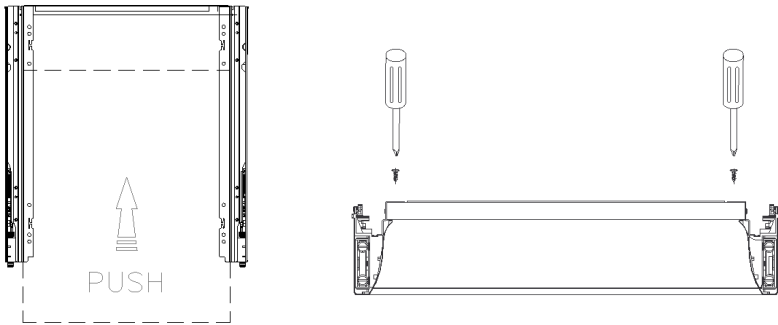
1)



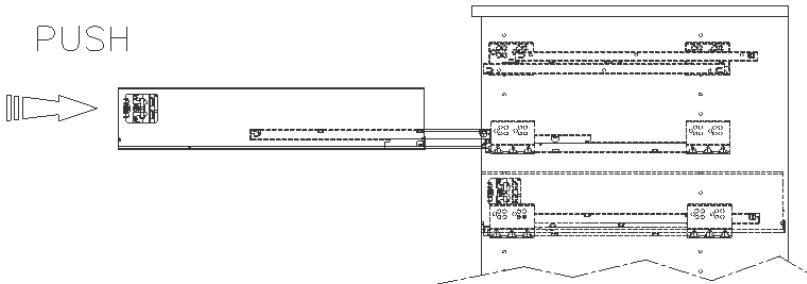
2)



3)

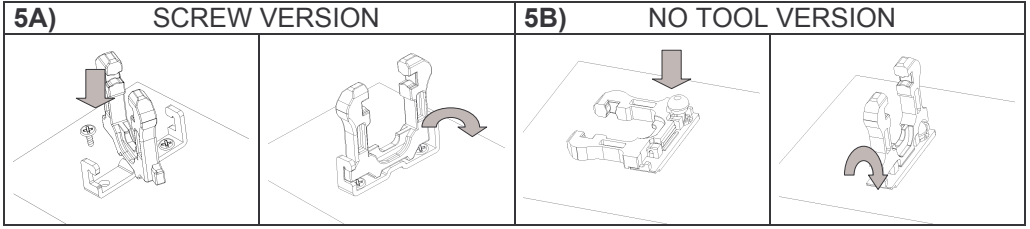


4)



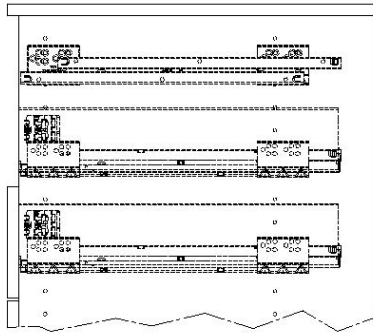
Prime

MOUNTING SEQUENCE

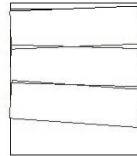
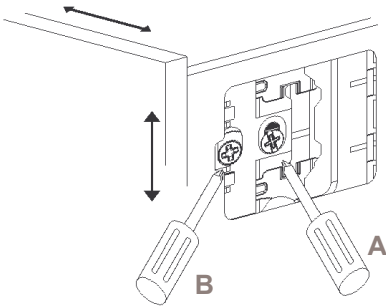


6)

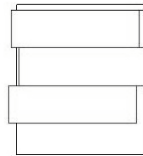
PUSH



7)



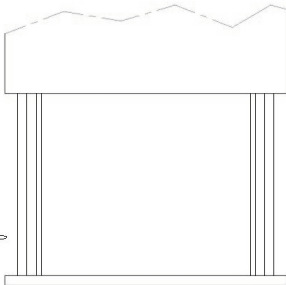
A



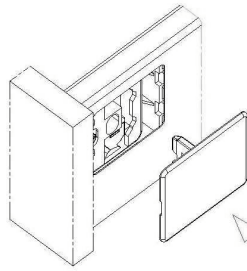
B

8)

PUSH



PUSH



PUSH